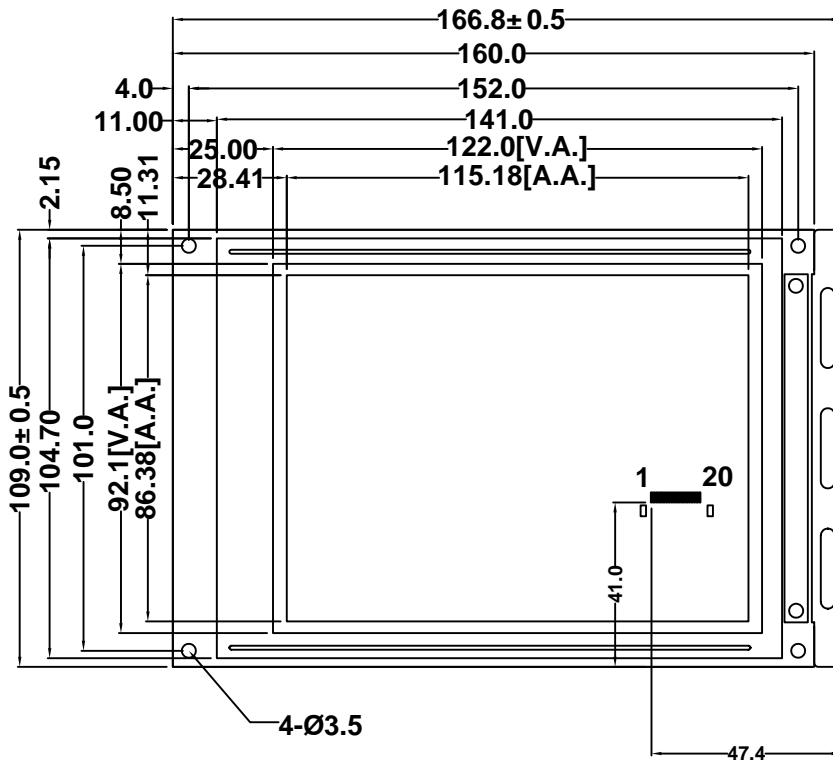
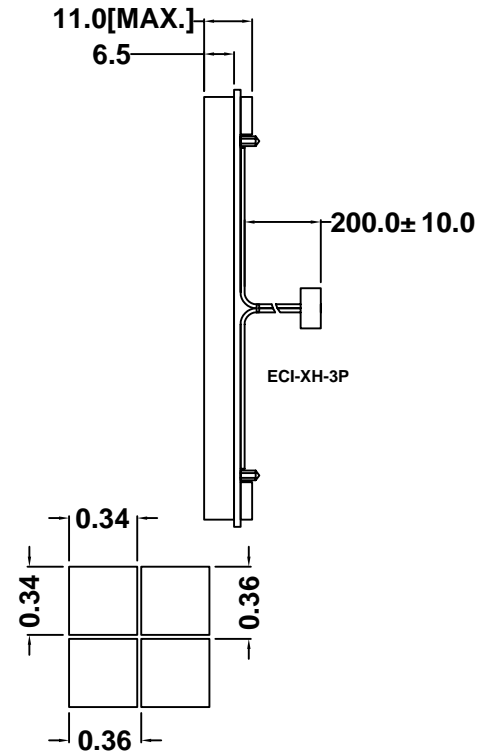


BHG320240B

CONTOUR DRAWING & BLOCK DIAGRAM



CCFL B/L or LED B/L



MECHANICAL SPECIFICATION		
ITEM	SPECIFICATION	UNIT
Module Size	166.8X109.0X13.0	mm
Viewing Area	122.0X92.0	mm
Number of dots	320X240	dots
Dot Pitch	0.36X0.36	mm
Dot Size	0.34X0.34	mm

ABSOLUTE MAXIMUM RATINGS					
PARAMETER	SYMBOL	MIN.	MAX.	UNIT	
Supply Voltage	Vdd	-0.3	7.0	V	
LCD Supply Voltage	Vlcd(Vdd-V0)	0	30	V	
Input Voltage	Vin	-0.3	Vdd+0.3	V	
Operating Temperature*	Top	0/-20	50/70	° C	
Storage Temperature*	Tstr	-10/-30	60/80	° C	

PIN CONNECTIONS		
PIN	SYMBOL	DESCRIPTION
1	Vss	GND
2	Vdd	Power supply for LOGIC
3	V0	Operating voltage LCD driving
4	A0	Data type select
5	/WR	8080:write signal,6800:R/W signal
6	/RD	8080:read signal,6800:enable clock
7-14	DB0-DB7	Data bus
15	/CS	Chip select
16	/RES	Controller reset signal
17	Vee	Power supply for LCD
18	SEL1	H:6800 ,L:8080
19	FGND	Frame Ground
20	NC	NC

ELECTRICAL CHARACTERISTICS(Ta=25° C)						
ITEM	SYMBOL	CONDITION	MIN.	TYP.	MAX.	UNIT
Supply Voltage(logic)	Vdd	-	4.5	5.0	5.5	V
Supply Current(logic)	Idd	Vdd=5.0	95	100	110	mA
Driving Voltage(LCD)	Vlcd	-	-	24	-	V
Driving Current(LCD)	Ilcd	-	-	-	-	mA

BACKLIGHT CHARACTERISTICS (Ta=25° C)						
PARAMETER	SYMBOL	CONDITION	MIN.	TYP.	MAX.	UNIT
CCFL Starting Voltage	Vfls		-	600	-	Vrms
CCFL Driving Voltage	Vfld		-	268	-	Vrms
CCFL Driving Current	Ifld	Vfq=150Vrms 30KHz	-	5.0	-	mA

*T1/T2: T1for standard temperature LCM, T2 for wide temperature LCM