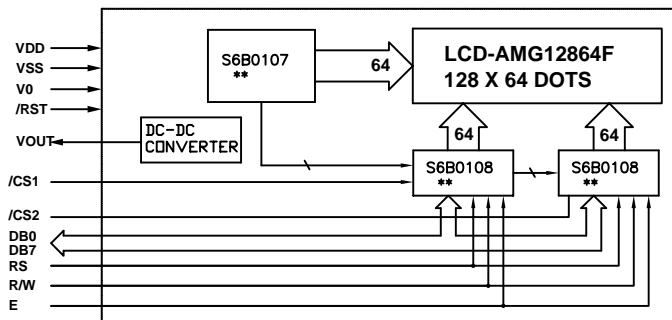
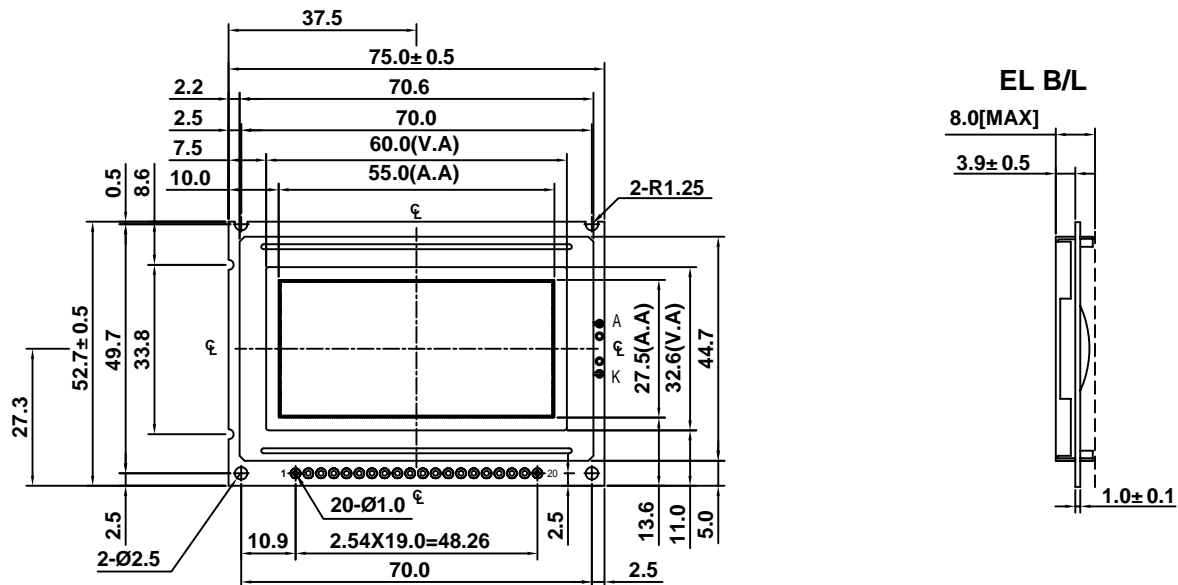
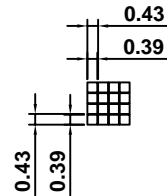


BHG12864F

CONTOUR DRAWING & BLOCK DIAGRAM



** OR EQUIVALENT



MECHANICAL SPECIFICATION		
ITEM	SPECIFICATION	UNIT
Module Size	75.0X52.7X8.0	mm
Viewing Area	60.0X32.6	mm
Number of dots	128X64	dots
Dot Pitch	0.43X0.43	mm
Dot Size	0.39X0.39	mm

ABSOLUTE MAXIMUM RATINGS				
PARAMETER	SYMBOL	MIN.	MAX.	UNIT
Supply Voltage	Vdd	-0.3	7.0	V
LCD Supply Voltage	Vlcd(Vdd-V0)	Vdd-19.0	Vdd+0.3	V
Input Voltage	Vin	-0.3	Vdd+0.3	V
Operating Temperature*	Top	0/-20	50/70	° C
Storage Temperature*	Tstr	-10/-30	60/80	° C

PIN CONNECTIONS		
PIN	SYMBOL	DESCRIPTION
1	VDD	Power Supply :+5V
2	VSS	Power Supply :0V
3	V0	Supply voltage for LCD
4-11	DB0-DB7	Data Bus
12	/CS1	Chip1 Select Signal
13	/CS2	Chip2 Select Signal
14	/RST	Reset Signal
15	R/W	Read/Write
16	RS	Register Select
17	E	Enable
18	VOUT	Negative Voltage
19	EL1	Direct EL Drive Input
20	EL2	Direct EL Drive Input

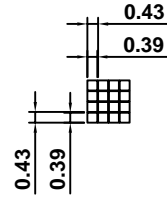
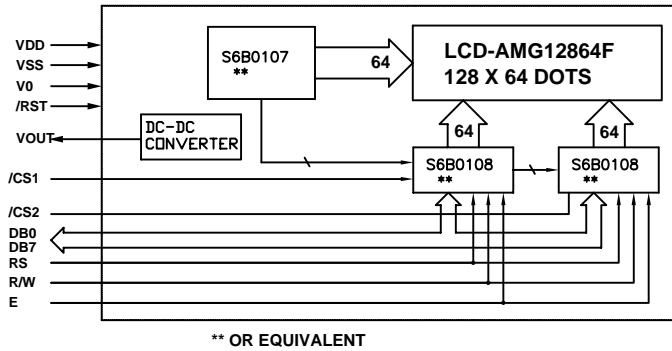
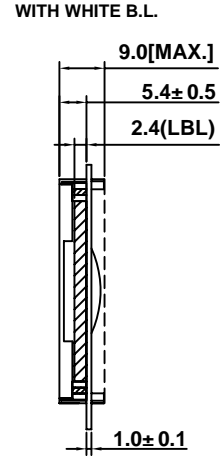
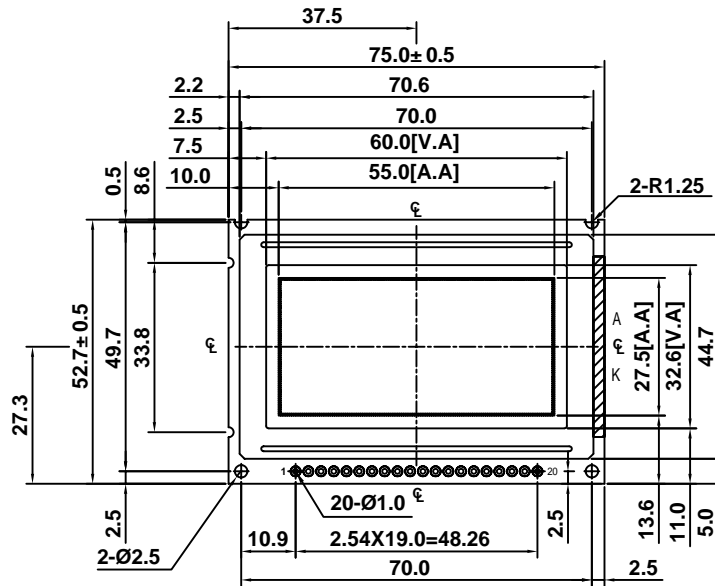
ELECTRICAL CHARACTERISTICS(Ta=25° C)						
ITEM	SYMBOL	CONDITION	MIN.	TYP.	MAX.	UNIT
Supply Voltage(logic)	Vdd	-	4.5	5.0	5.5	V
Supply Current(logic)	Idd	Vdd=5.0	4.0	-	4.5	mA
Driving Voltage(LCD)	Vlcd	-	8.2	8.4	8.7	V
Driving Current(LCD)	Ilcd	-	-	-	-	mA

BACKLIGHT CHARACTERISTICS (Ta=25° C)						
PARAMETER	SYMBOL	CONDITION	MIN.	TYP.	MAX.	UNIT
Supply Voltage	Vf	-	-	100	-	V
Lamp Frequency	Fosc	-	-	400	-	Hz

*T1/T2: T1for standard temperature LCM, T2 for wide temperature LCM

BHG12864F

CONTOUR DRAWING & BLOCK DIAGRAM



MECHANICAL SPECIFICATION		
ITEM	SPECIFICATION	UNIT
Module Size	75.0X52.7X8.0	mm
Viewing Area	60.0X32.6	mm
Number of dots	128X64	dots
Dot Pitch	0.43X0.43	mm
Dot Size	0.39X0.39	mm

ABSOLUTE MAXIMUM RATINGS				
PARAMETER	SYMBOL	MIN.	MAX.	UNIT
Supply Voltage	Vdd	-0.3	7.0	V
LCD Supply Voltage	Vlcd(Vdd-V0)	Vdd-19.0	Vdd+0.3	V
Input Voltage	Vin	-0.3	Vdd+0.3	V
Operating Temperature*	Top	0/-20	50/70	° C
Storage Temperature*	Tstr	-10/-30	60/80	° C

PIN CONNECTIONS		
PIN	SYMBOL	DESCRIPTION
1	VDD	Power Supply :+5V
2	VSS	Power Supply :0V
3	V0	Supply voltage for LCD
4-11	DB0-DB7	Data Bus
12	/CS1	Chip1 Select Signal
13	/CS2	Chip2 Select Signal
14	/RST	Reset Signal
15	R/W	Read/Write
16	RS	Register Select
17	E	Enable
18	VOUT	Negative Voltage
19	A	Anode for backlight
20	K	Cathode for backlight

ELECTRICAL CHARACTERISTICS(Ta=25° C)						
ITEM	SYMBOL	CONDITION	MIN.	TYP.	MAX.	UNIT
Supply Voltage(logic)	Vdd	-	4.5	5.0	5.5	V
Supply Current(logic)	Idd	Vdd=5.0	4.0	-	4.5	mA
Driving Voltage(LCD)	Vlcd	-	8.2	8.4	8.7	V
Driving Current(LCD)	Ilcd	-	-	-	-	mA

BACKLIGHT CHARACTERISTICS (Ta=25° C)						
PARAMETER	SYMBOL	CONDITION	MIN.	TYP.	MAX.	UNIT
Supply Voltage	Vf	If=45mA	2.8	3.0	3.2	V
LED Forward Current	If	-	-	45	-	mA

*T1/T2: T1 for standard temperature LCM, T2 for wide temperature LCM