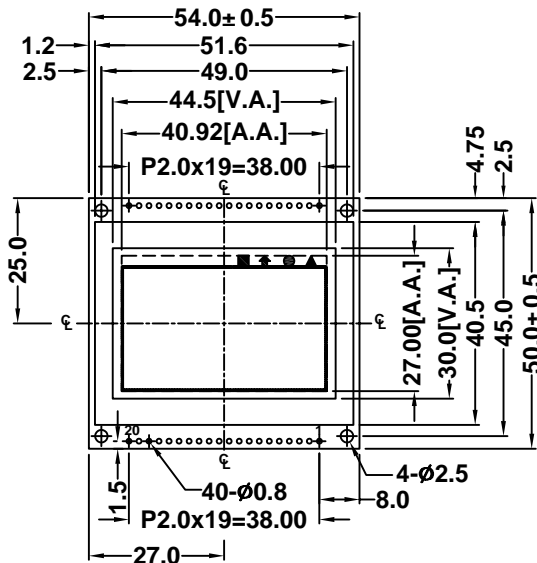
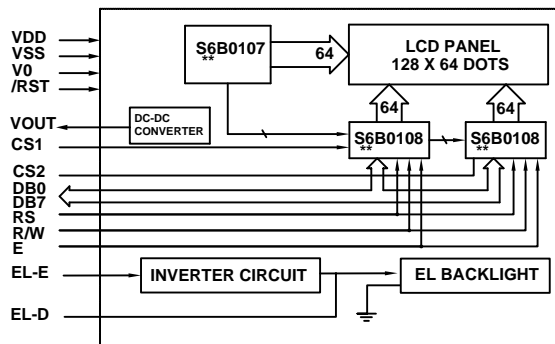
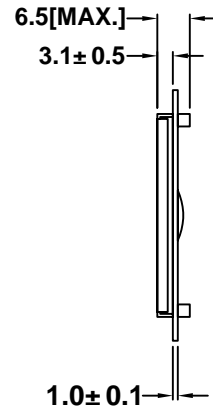


# BHG12864D

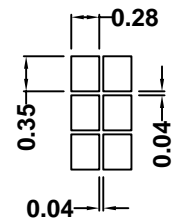
## CONTOUR DRAWING & BLOCK DIAGRAM



EL B/L



\*\* OR EQUIVALENT



MECHANICAL SPECIFICATION		
ITEM	SPECIFICATION	UNIT
Module Size	54.0X50.0X6.5	mm
Viewing Area	44.5X30.0	mm
Number of dots	128X64	dots
Dot Pitch	0.32X0.39	mm
Dot Size	0.28X0.35	mm

ABSOLUTE MAXIMUM RATINGS				
PARAMETER	SYMBOL	MIN.	MAX.	UNIT
Supply Voltage	Vdd	-0.3	7.0	V
LCD Supply Voltage	Vlcd(Vdd-V0)	Vdd-19.0	Vdd+0.3	V
Input Voltage	Vin	-0.3	Vdd+0.3	V
Operating Temperature*	Top	0/-20	50/70	° C
Storage Temperature*	Tstr	-10/-30	60/80	° C

PIN CONNECTIONS		
PIN	SYMBOL	DESCRIPTION
1	VSS	Power Supply :0V
2	VDD	Power Supply :+5V
3	V0	Supply voltage for LCD
4	RS	Register Select
5	R/W	Read/Write
6	E	Enable
7-14	DB0-DB7	Data Bus
15	CS1	Chip1 Select Signal
16	CS2	Chip2 Select Signal
17	/RST	Reset Signal
18	VOUT	Negative Voltage
19	EL-E	EL ON/OFF Control
20	EL-D	Direct EL Drive Input

ELECTRICAL CHARACTERISTICS(Ta=25° C)						
ITEM	SYMBOL	CONDITION	MIN.	TYP.	MAX.	UNIT
Supply Voltage(logic)	Vdd	-	4.5	5.0	5.5	V
Supply Current(logic)	Idd	Vdd=5.0	-	5.1	9.8	mA
Driving Voltage(LCD)	Vlcd	-	-	9.0	-	V
Driving Current(LCD)	Ilcd	-	-	-	-	mA

BACKLIGHT CHARACTERISTICS (Ta=25° C)						
PARAMETER	SYMBOL	CONDITION	MIN.	TYP.	MAX.	UNIT
Supply Voltage	Vf	-	-	100	-	V
Lamp Frequency	Fosc	-	-	400	-	Hz

\*T1/T2: T1 for standard temperature LCM, T2 for wide temperature LCM