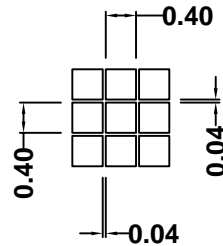
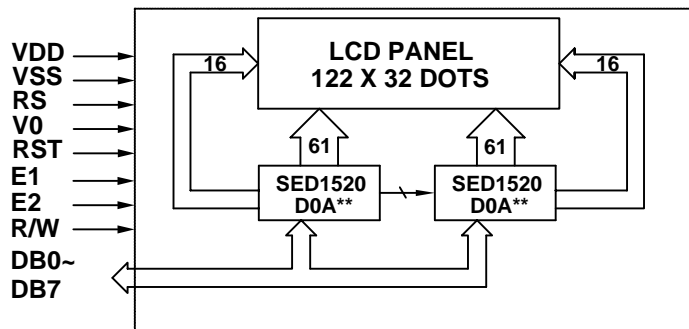
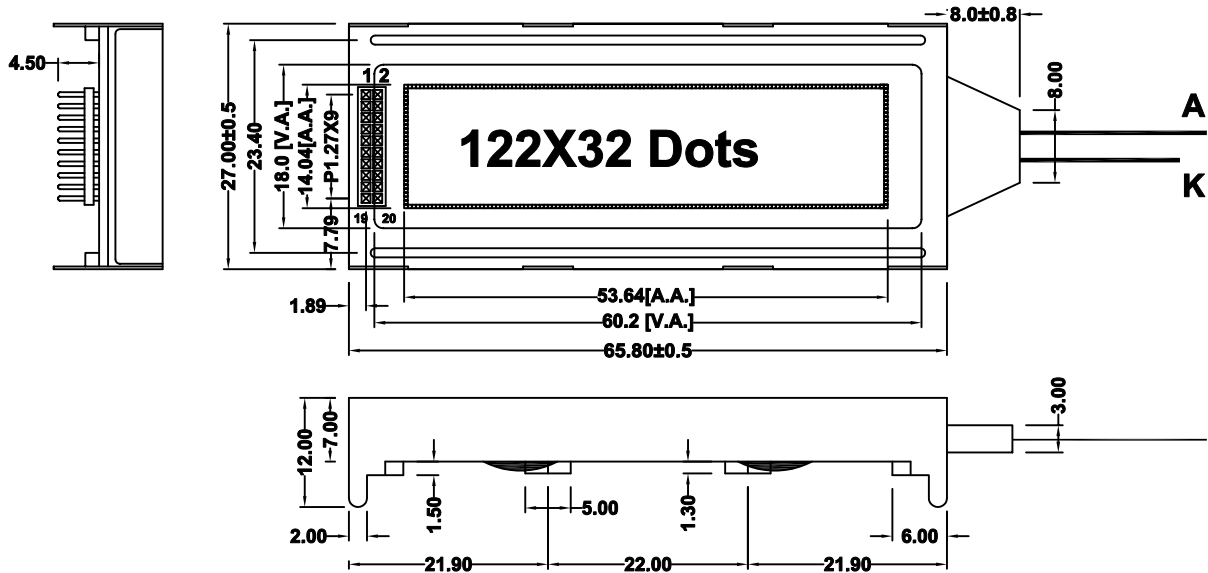


BHG12232D

CONTOUR DRAWING & BLOCK DIAGRAM

LED B/L



** OR EQUIVALENT

MECHANICAL SPECIFICATION		
ITEM	SPECIFICATION	UNIT
Module Size	65.8X27.0X12.0	mm
Viewing Area	60.2X18.0	mm
Number of dots	122X32	dots
Dot Pitch	0.44X0.44	mm
Dot Size	0.40X0.40	mm

ABSOLUTE MAXIMUM RATINGS				
PARAMETER	SYMBOL	MIN.	MAX.	UNIT
Supply Voltage	Vdd	-0.3	7.0	V
LCD Supply Voltage	Vlcd(Vdd-V0)	0	12	V
Input Voltage	Vin	-0.3	Vdd+0.3	V
Operating Temperature*	Top	0/-20	50/70	° C
Storage Temperature*	Tstr	-10/-30	60/80	° C

PIN CONNECTIONS		
PIN	SYMBOL	DESCRIPTION
1	RS	Register signal
2	E2	Enable For Chip2
3	E1	Enable For Chip1
4,5	NC	NC
6	R/W	Read/Write
7	VSS	Ground
8-15	DB0-DB7	DATA Bus
16	VDD	Supply voltage for LCD(+)
17	RST	Reset signal
18	V0	Supply voltage for LCD(-)
19,20	NC	NC

ELECTRICAL CHARACTERISTICS(Ta=25° C)						
ITEM	SYMBOL	CONDITION	MIN.	TYP.	MAX.	UNIT
Supply Voltage(logic)	Vdd	-	4.5	5.0	5.5	V
Supply Current(logic)	Idd	Vdd=5.0	-	1.0	2.0	mA
Driving Voltage(LCD)	Vlcd	-	-	4.8	-	V
Driving Current(LCD)	Ilcd	-	-	-	-	mA

BACKLIGHT CHARACTERISTICS (Ta=25° C)						
PARAMETER	SYMBOL	CONDITION	MIN.	TYP.	MAX.	UNIT
Supply Voltage	Vf	If=20mA	-	3.6	-	V
LED Forward Current	If	-	-	20	40	mA
LED Dissipation	Pd	-	-	798	-	mW

*T1/T2: T1for standard temperature LCM, T2 for wide temperature LCM